

Frymaster Cracker Barrel Site Survey

Store Address: _____

Date: _____

1. Present Fryer

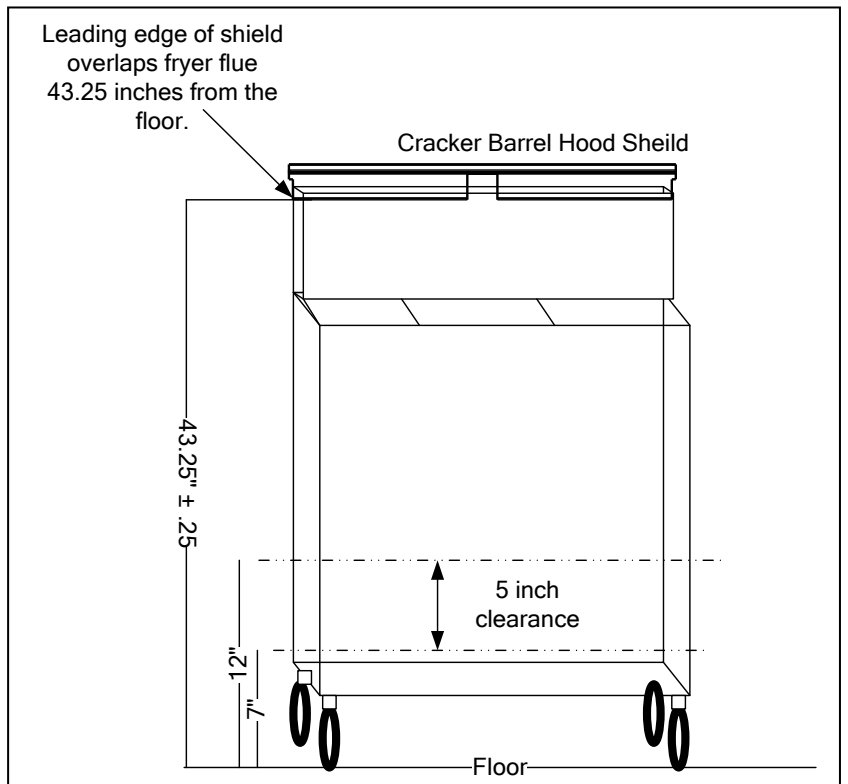
Pitco Frymaster

2. Hood/Shield:

- Shields used for other fryers have to be trimmed for use with a Frymaster fryer.

The lower edge of the shield should overhang the fryer's flue at 43.5 inches \pm .25 from the floor (see illustration). Frymaster offers a replacement shield for the Cracker Barrel hood (823-5050) that is the right dimension.

- Are all hood filters in place and in good shape? **Yes** **No**
- Is the hood clean? **Yes** **No**



3. Behind the Fryer

- Are there obstructions, gas lines, etc., in the critical necessary five inches of clear space (see illustration) between seven and 12 inches above the floor? **Yes** **No**

Any obstruction in that area must be removed or repositioned.

- Is the electrical outlet in good shape, secure? **Yes** **No**
Cracked **Yes** **No** Corroded **Yes** **No**
- Are all floor tiles under the fryer in place? **Yes** **No**
Broken or missing floor tiles can cause the fryer to sit unevenly under the hood, misaligned with the hood shields.

Technician _____

Store Manager _____